

LC1224-D

AIR COMPRESSOR LOW VOLTAGE



www.aimspump.com

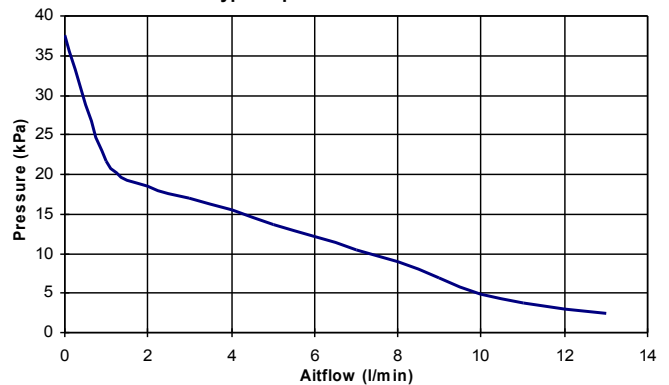
LC1224-D SPECIFICATIONS

Rated Voltage(s):	12 Volts DC or 24 Volts DC
Rated Pressure:	12 kPa
Rated Airflow:	6 l/min
Maximum Pressure:	37.5kPa
Power Consumption Max:	30 Watts Mean
Duty Cycle:	Continuous
Coil insulation Class:	Class F
Environmental Conditions:	0°C – 40°C & 35% - 85% RH
Mounting Dimensions:	75(L) x 62(W) mm
Unit outside dimensions:	116mm x 58mm x 58mm
Gross Weight:	795 grams (1.75lbs)
Lead Wire Length:*	AWG22 (UL1015, 105°C) X 150mm
Outlet:*	7.5mm diameter barb, hose nipple.

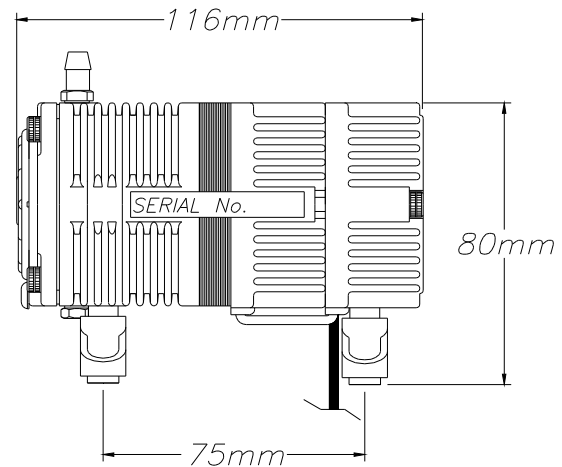
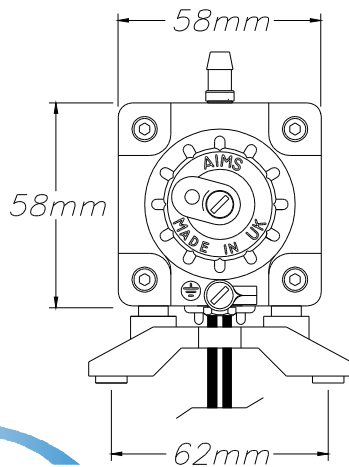
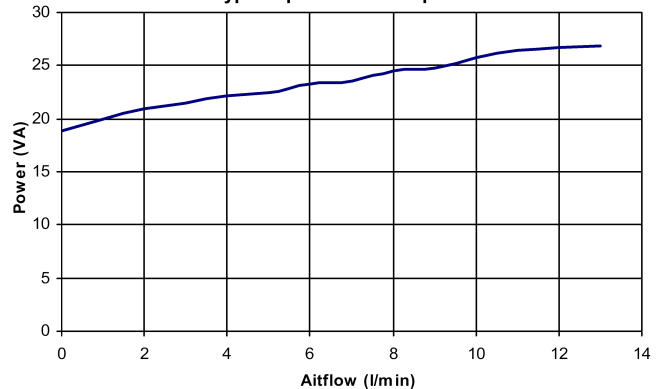
This compressor has an integral drive circuit. Connect to a suitable DC supply. Red to positive, black to negative. Please observe correct polarity. Failure to do so will result in damage to the compressor.

*Example given. Customer determined attributes are available.
Patented and patents pending

Typical performance 12V DC



Typical power consumption



an
ARCHFACT
product
Limited

Contact technical sales for additional information regarding life expectancy and operating conditions.
All the information in this datasheet is supplied in good faith.
This information is given without obligation or liability.