

LC1211

AIRCOMPRESSOR LOWVOLTAGE

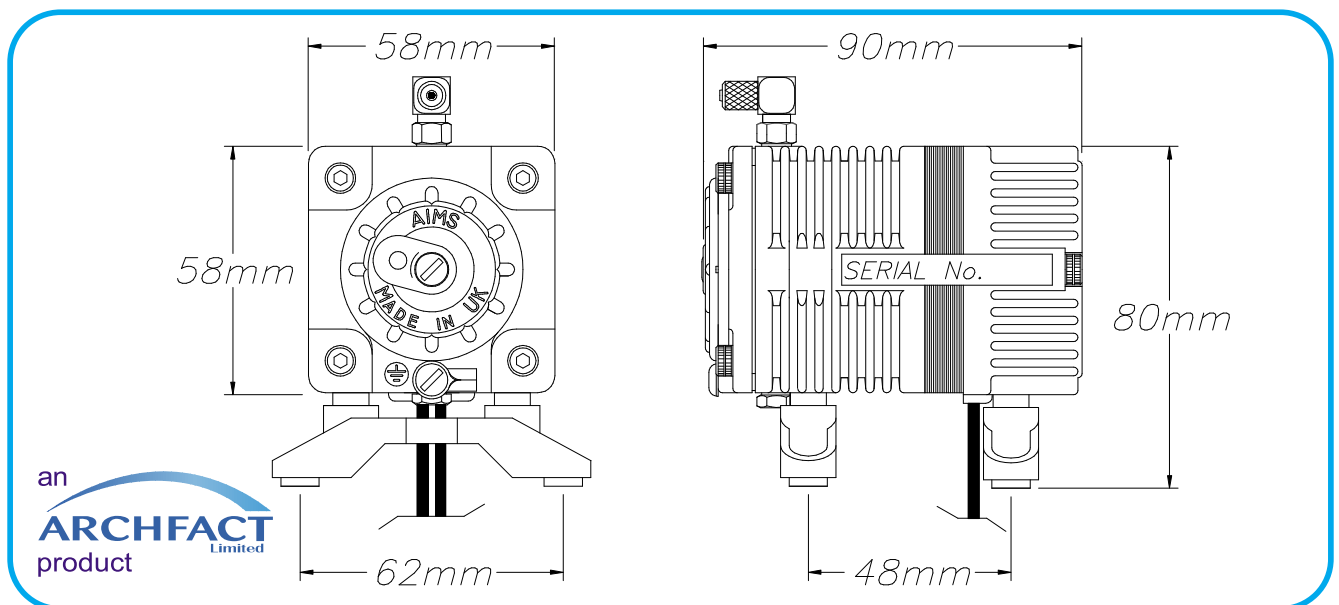
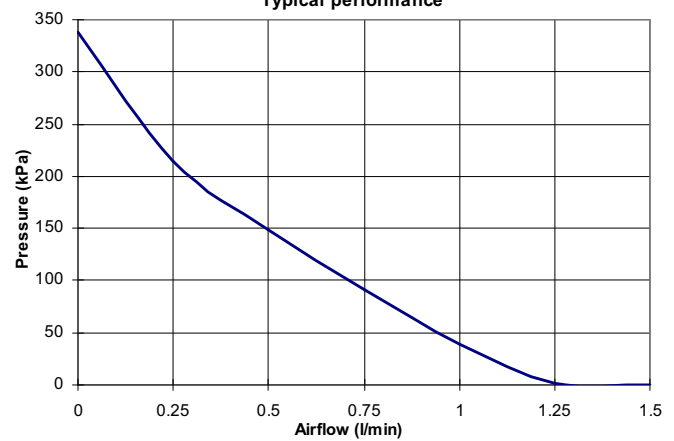


www.aimspump.com

LC1211 SPECIFICATIONS

Rated Voltage(s):	DC 12 Volts Pulsed
Voltage characteristic:	On 5ms, Off 15ms
Rated Pressure:	150kPa
Rated Airflow:	0.5 l/min
Maximum Pressure:	>300kPa
Rated Frequency:	50Hz
Power Consumption Max (DC):	30 VA
Duty Cycle:	Continuous
Coil insulation Class:	Class F
Environmental Conditions:	0°C – 40°C & 35% - 85% RH
Mounting Dimensions:	48(L) x 62(W) mm
Unit outside dimensions:	90mm x 58mm x 58mm
Gross Weight:	700 grams (1.54lbs)
Lead Wire Length:*	AWG22 (UL1015, 105°C) X 260mm
Outlet:*	4mm hose elbow adaptor

*Example given. Customer determined attributes are available.
Patented and patents pending



Contact technical sales for additional information regarding life expectancy and operating conditions.
All the information in this datasheet is supplied in good faith.
This information is given without obligation or liability.