

LC1211-D

AIRCOMPRESSOR LOWVOLTAGE



www.aimspump.com

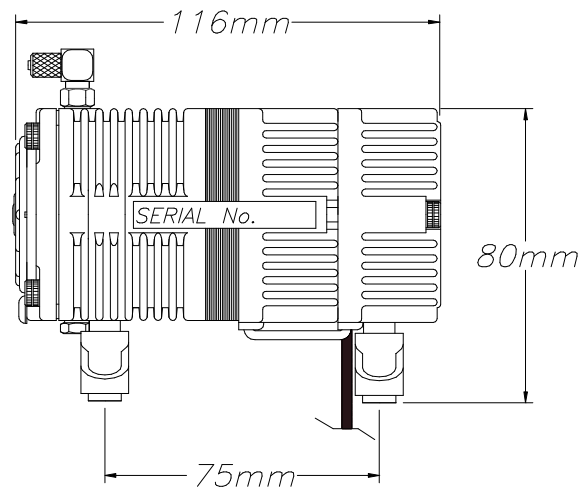
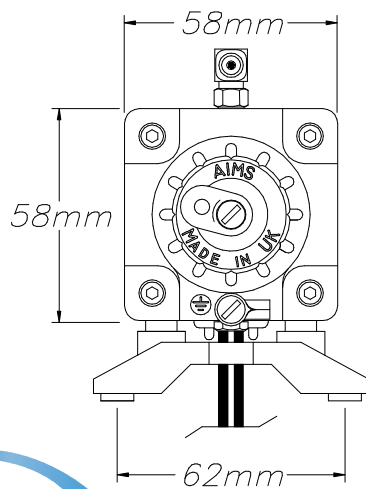
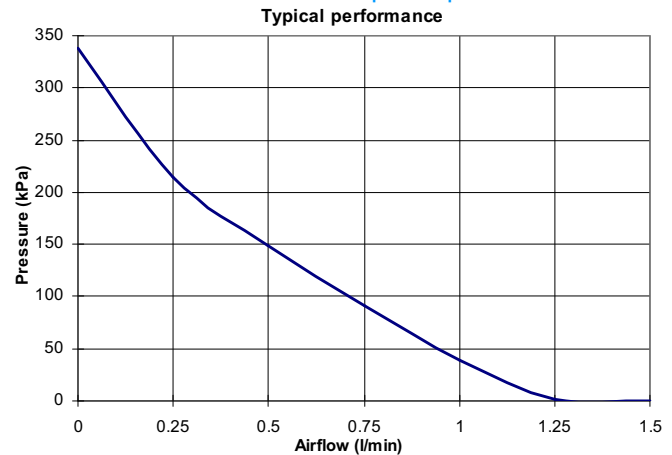
LC1211-D SPECIFICATIONS

Rated Voltage(s):	DC 12 Volts
Rated Pressure:	150kPa
Rated Airflow:	0.5 l/min
Maximum Pressure:	>300kPa
Power Consumption Max (DC):	30 VA
Duty Cycle:	Continuous
Coil insulation Class:	Class F
Environmental Conditions:	0°C – 40°C & 35% - 85% RH
Mounting Dimensions:	75(L) x 62(W) mm
Unit outside dimensions:	116mm x 58mm x 58mm
Gross Weight:	815 grams (1.80lbs)
Lead Wire Length:*	AWG22 (UL1015, 105°C) X 150mm
Outlet:*	4mm hose elbow adaptor

This pump has an integral drive circuit. Connect to a suitable 12V DC supply. Red to positive, black to negative. Please observe correct polarity. Failure to do so will result in damage to the pump.

*Example given. Customer determined attributes are available.

Patented and patents pending



an
ARCHFACT
product
Limited

Contact technical sales for additional information regarding life expectancy and operating conditions.
All the information in this datasheet is supplied in good faith.
This information is given without obligation or liability.