

LC1116

AIRCOMPRESSOR LOWVOLTAGE

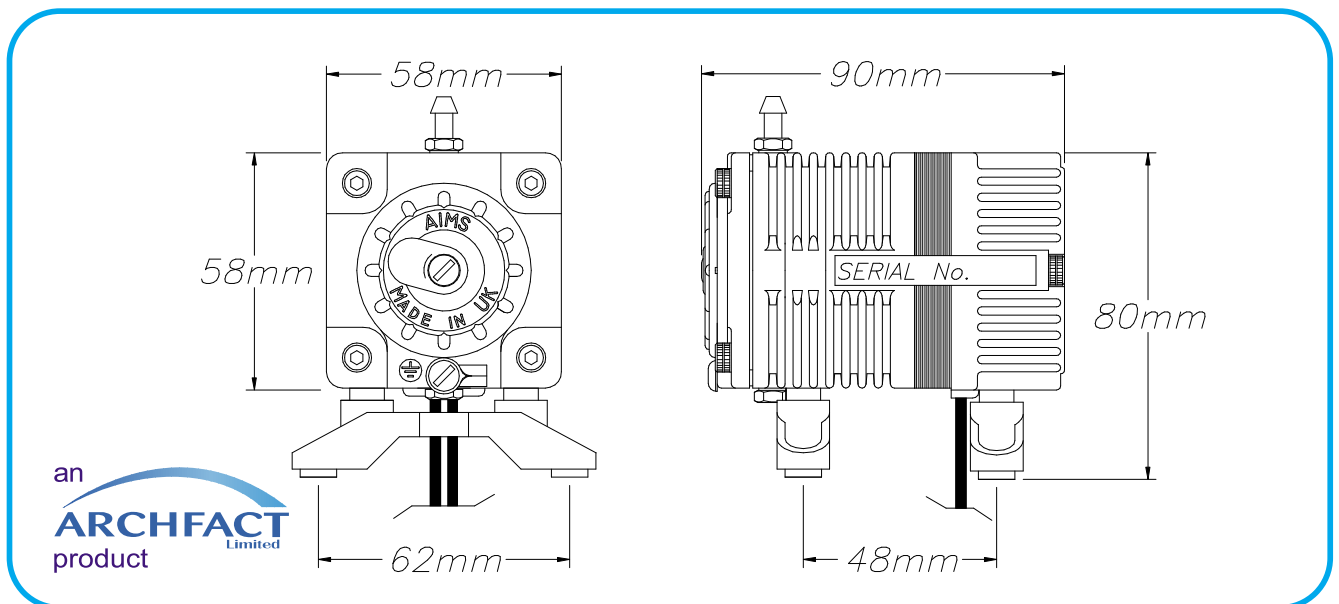
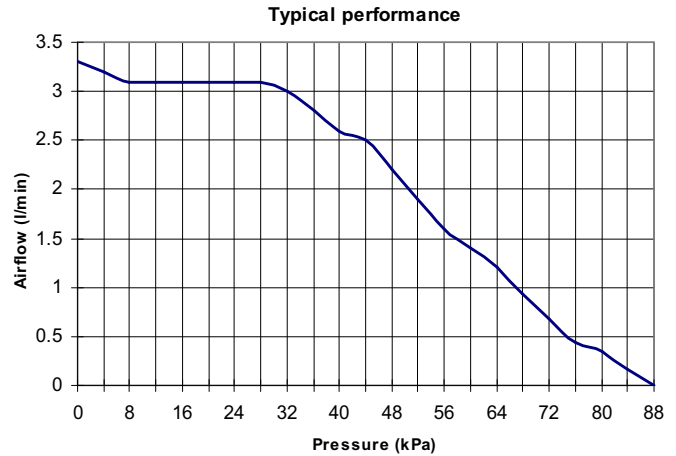


www.aimspump.com

LC1116 SPECIFICATIONS

Rated Voltage(s):	DC12 Volts Pulsed
Voltage characteristic:	On 5 ms, Off 7.98 ms
Rated Pressure:	44 kPa
Rated Airflow:	2.5 l/min
Maximum Pressure:	>80kPa
Rated Frequency:	77Hz
Power Consumption:	24 VA
Duty Cycle:	Continuous
Coil insulation Class:	Class F
Environmental Conditions:	0°C – 40°C & 35% - 85% RH
Mounting Dimensions:	48(L) x 62(W) mm
Unit outside dimensions:	90mm x 58mm x 58mm
Gross Weight:	700 grams (1.54lbs)
Lead Wire Length:*	AWG22 (UL1015, 105°C) X 260mm
Outlet:*	7.5mm diameter barb, hose nipple.

*Example given. Customer determined attributes are available.
Patented and patents pending



an
ARCHFACT
product Limited

Contact technical sales for additional information regarding life expectancy and operating conditions.
All the information in this datasheet is supplied in good faith.
This information is given without obligation or liability.