

AP1022

VACUUMPUMP

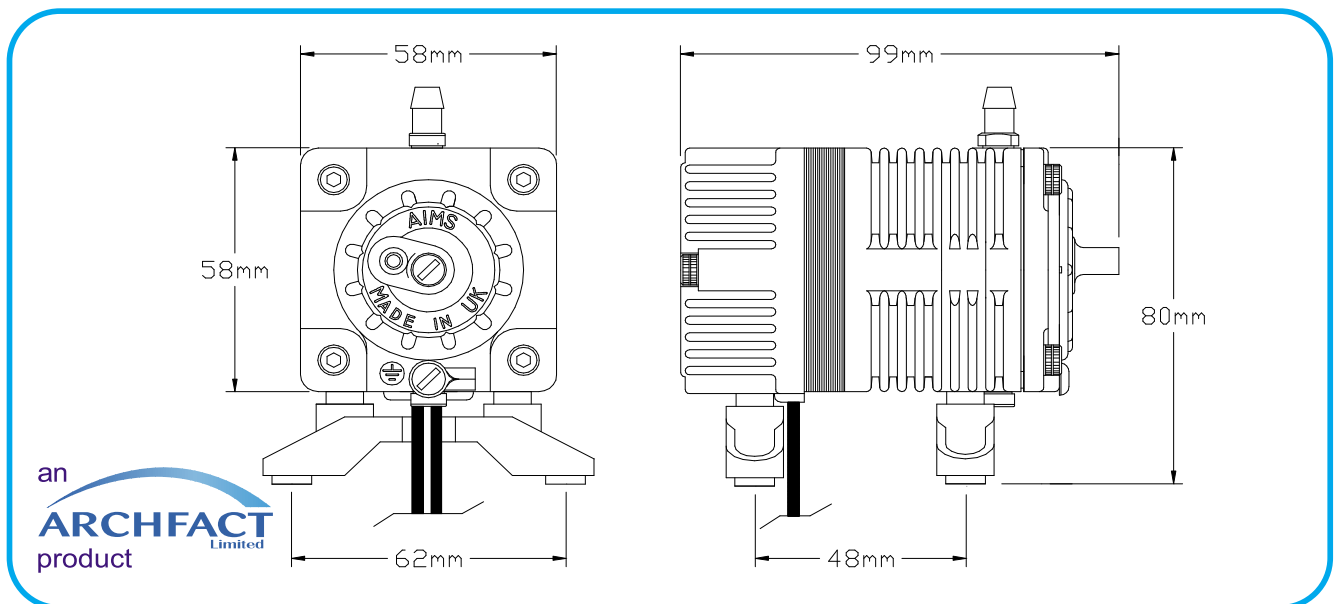
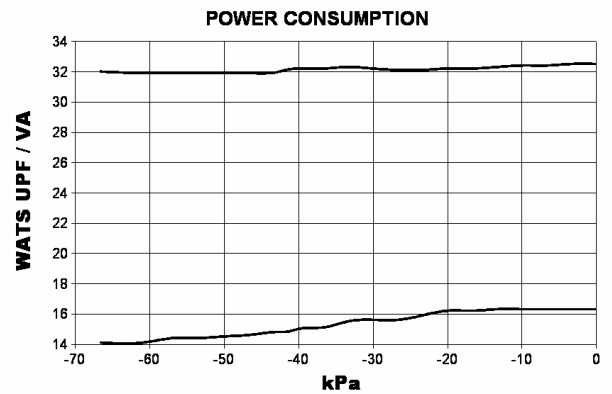
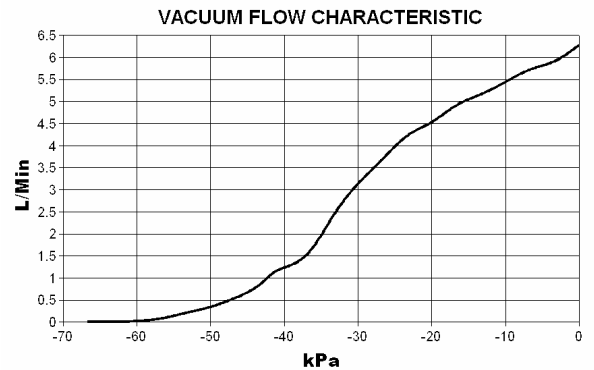


www.aimspump.com

AP1022 SPECIFICATIONS

Rated Vacuum:	-26.5 kPa (-265 mB, -7.83 inHg)
Rated Voltage(s):	120V or 230V
Maximum Vacuum Airflow:	>6 l/min (0.21 cfm)
Maximum Vacuum:	>-60 kPa (-600 mB, -17.72 inHg)
Rated Frequency:	50Hz or 60Hz
Power Consumption:	14 - 16 Watts UPF
Duty Cycle:	Continuous
Coil insulation Class:	Class F
Noise Level:	Below 40 dB(A)
Environmental Conditions:	0°C – 40°C & 35% - 85% RH
Mounting Dimensions:	48(L) x 62(W) mm
Unit outside dimensions:	99mm x 58mm x 58mm
Gross Weight:	700 grams (1.54lbs)
Lead Wire Length:*	AWG22 (UL1015, 105°C) X 210mm
Outlet:*	7.5mm diameter barb, hose nipple.

*Example given. Customer determined attributes are available.
Patented and patents pending



Contact technical sales for additional information regarding life expectancy and operating conditions.
All the information in this datasheet is supplied in good faith.
This information is preliminary and given without obligation or liability.