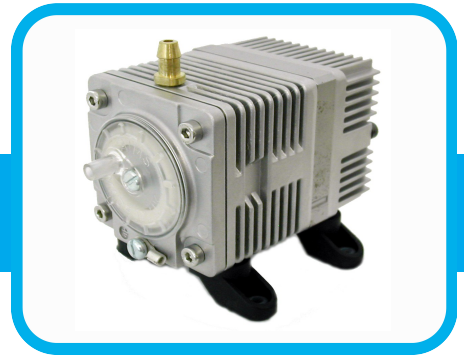


AP1022-L

VACUUMPUMP



www.aimspump.com

AP1022-L SPECIFICATIONS

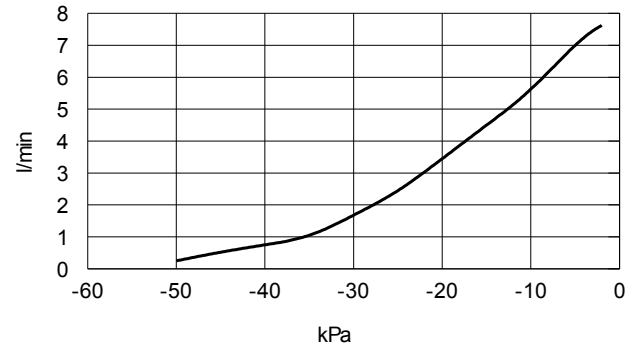
Rated Vacuum:	-20.0 kPa (-200 mB, -5.91 inHg)
Rated Voltage(s):	120V or 230V
Maximum Vacuum Airflow:	>6 l/min (0.21 cfm)
Maximum Vacuum:	>-50 kPa (-500 mB, -14.77 inHg)
Rated Frequency:	50Hz or 60Hz
Power Consumption:	14 - 16 Watts UPF
Duty Cycle:	Continuous
Coil insulation Class:	Class F
Noise Level:	Below 40 dB(A)
Environmental Conditions:	0°C – 40°C & 35% - 85% RH
Mounting Dimensions:	48(L) x 62(W) mm
Unit outside dimensions:	99mm x 58mm x 58mm
Gross Weight:	700 grams (1.54lbs)
Lead Wire Length:*	AWG22 (UL1015, 105°C) X 210mm
Outlet:*	7.5mm diameter barb, hose nipple.

*Example given. Customer determined attributes are available.

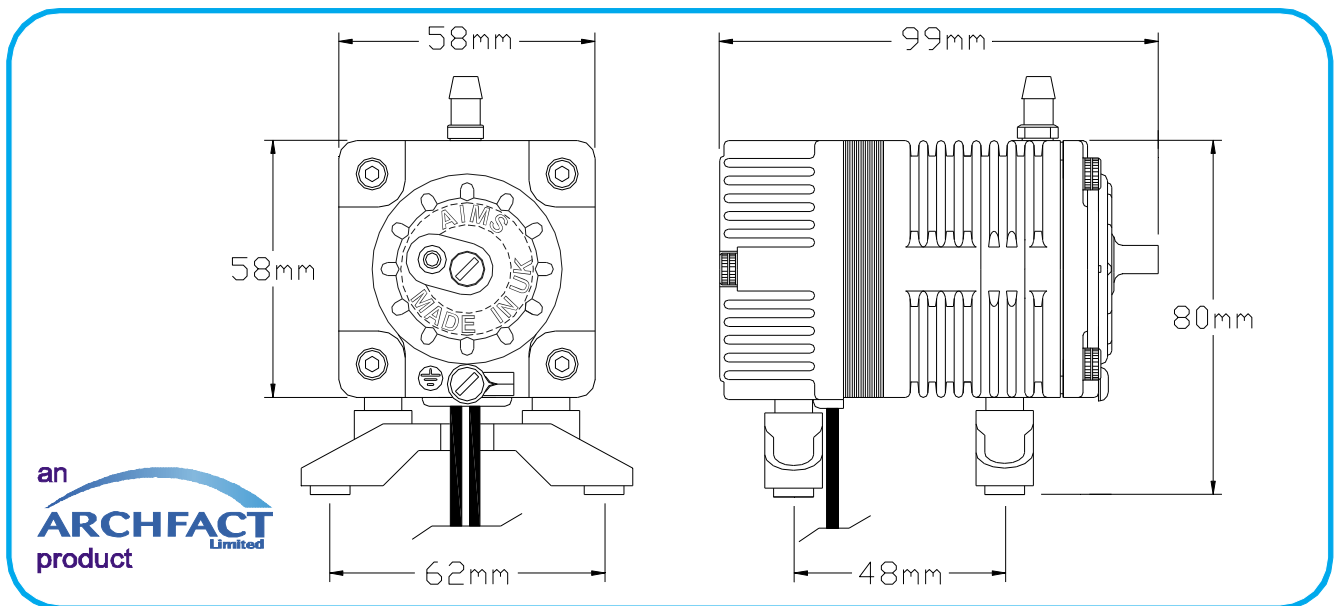
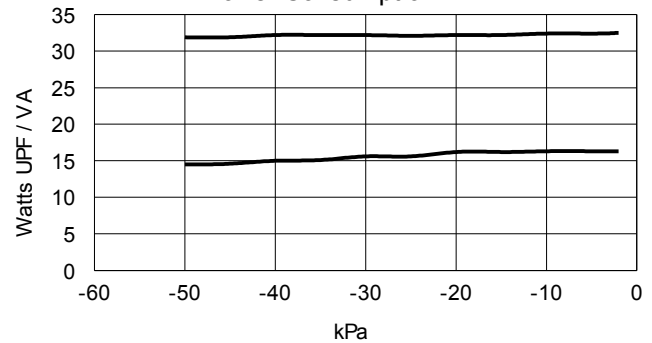
Low internal air loss version that has less than 28ml/min loss at -50kPa through the pump when not running.

Patented and patents pending

Typical Vacuum Flow Characteristic



Power Consumption



an
ARCHFACT
product
Limited

Contact technical sales for additional information regarding life expectancy and operating conditions.

All the information in this datasheet is supplied in good faith.

This information is preliminary and given without obligation or liability.