

AC1024 - B

AIRCOMPRESSOR



www.aimspump.com

AC1024 - B SPECIFICATIONS

SERIES CONFIGURATION

Rated Pressure:	35 kPa (350mB, 5.07psi)
Rated Airflow:	6 l/min (0.21cfm)
Maximum Pressure:	>82 kPa (820mB, 11.9psi)

PARALLEL CONFIGURATION

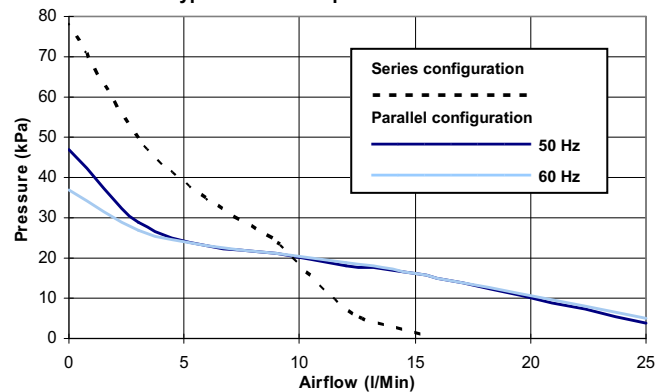
Rated Pressure:	19 kPa (190mb, 2.75psi)
Rated Airflow:	10 l/m (0.35cfm)
Maximum Pressure:	>41kPa (410mB, 5.95psi)

FEATURES OF BOTH CONFIGURATIONS

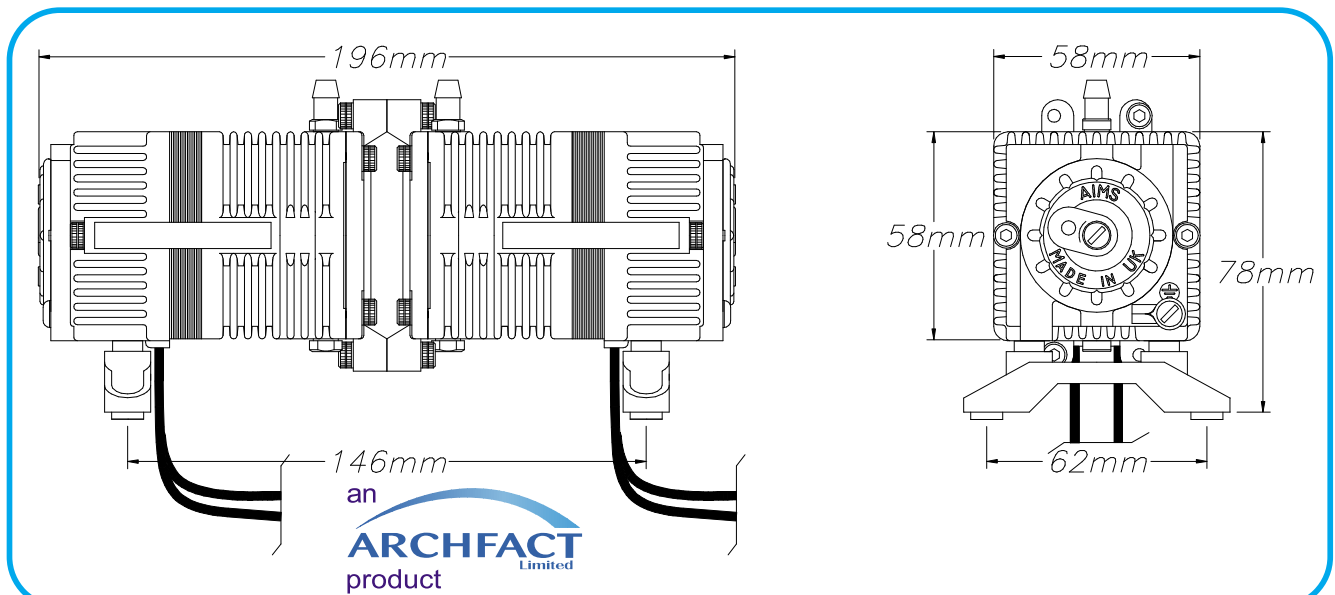
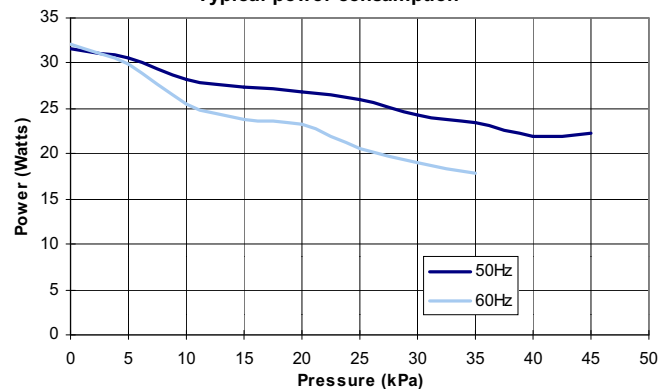
Rated Voltage(s):	100V, 120V or 230V
Rated Frequency:	50Hz or 60Hz
Power Consumption:	23-27 Watts
Duty Cycle:	Continuous
Coil insulation Class:	Class F. Class B for UL (1450) (120V)
Noise Level:	45 dB (A)
Environmental Conditions:	0°C – 40°C & 35% - 85% RH
Mounting Dimensions:	146(L) x 62(W) mm
Unit outside dimensions:	196mm x 58mm x 58mm
Gross Weight:	700 grams (1.54lbs)
Lead Wire Length:*	260mm Standard
Outlet:*	7.5mm diameter barb, hose nipple.

*Example given. Customer determined attributes are available.
Patented and patents pending

Typical Pressure performance curve



Typical power consumption



Contact technical sales for additional information regarding life expectancy and operating conditions.
All the information in this datasheet is supplied in good faith. This information is given without obligation or liability.