

AC1014

AIRCOMPRESSOR



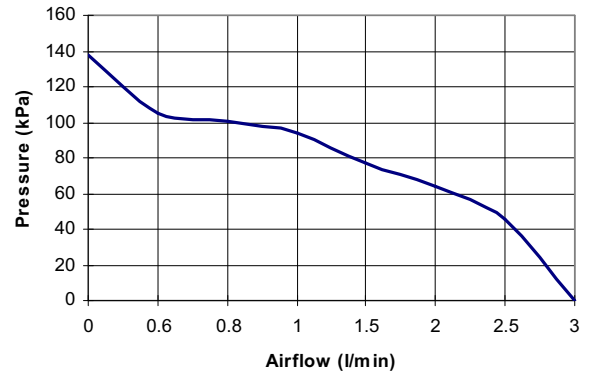
www.aimspump.com

AC1014 SPECIFICATIONS

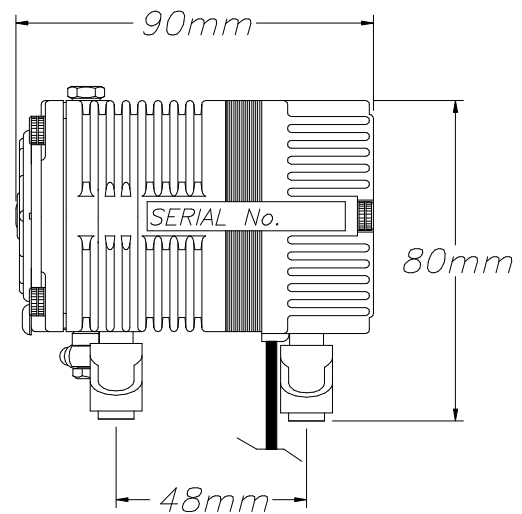
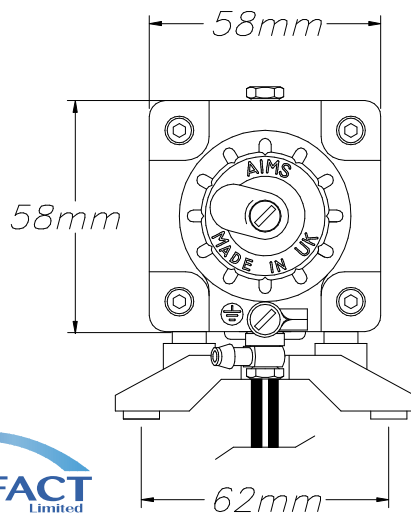
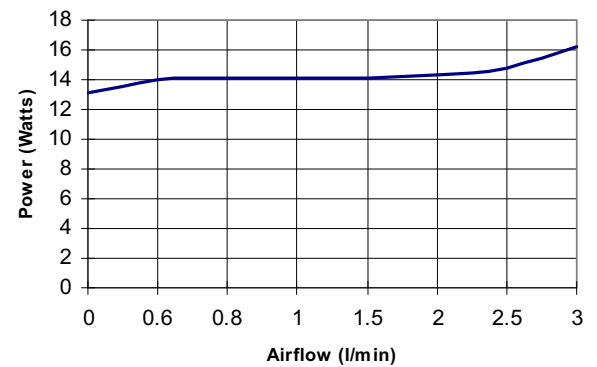
Rated Pressure:	100kPa (100 mB, 14.5psi)
Rated Airflow:	>0.8 l/min (0.028cfm)
Rated Voltage(s):	100V, 120V or 230V
Maximum Pressure:	>120 kPa (1200mB, 17.1psi)
Rated Frequency:	50Hz or 60 Hz
Power Consumption:	14-15 Watts
Duty Cycle:	Continuous
Coil insulation Class:	Class F. Class B for UL (1450) (120V)
Noise Level:	40 dB (A)
Environmental Conditions:	0°C – 40°C & 35% - 85% RH
Mounting Dimensions:	48(L) x 62(W) mm
Unit outside dimensions:	90mm x 58mm x 58mm
Gross Weight:	700 grams (1.54lbs)
Lead Wire Length:*	AWG22 (UL1015, 105°C) X 190mm
Outlet:*	6.0mm diameter barb, hose elbow nipple.

*Example given. Customer determined attributes are available.
Patented and patents pending

Typical performance



Typical power consumption



an
ARCHFACT
product

Contact technical sales for additional information regarding life expectancy and operating conditions.
All the information in this datasheet is supplied in good faith.
This information is given without obligation or liability.